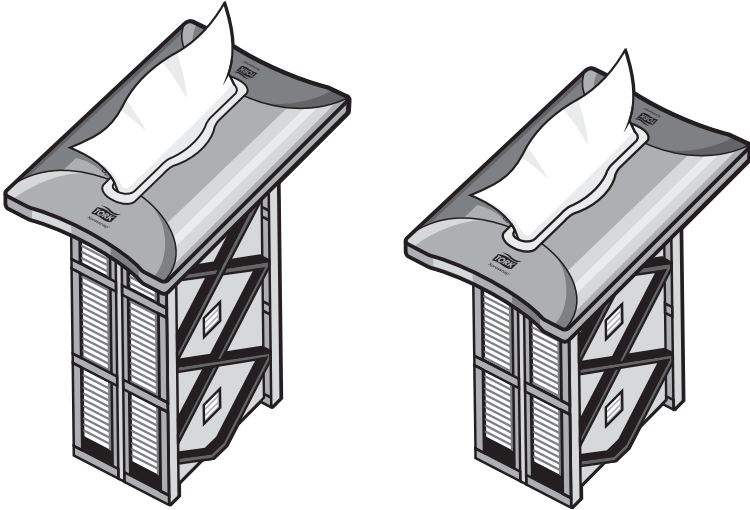


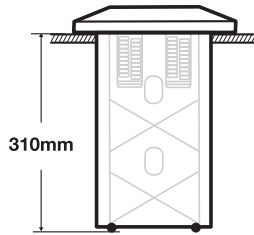
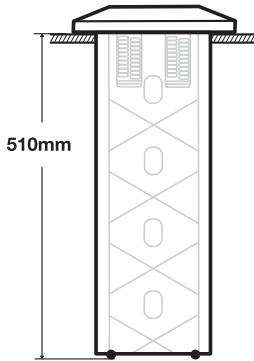
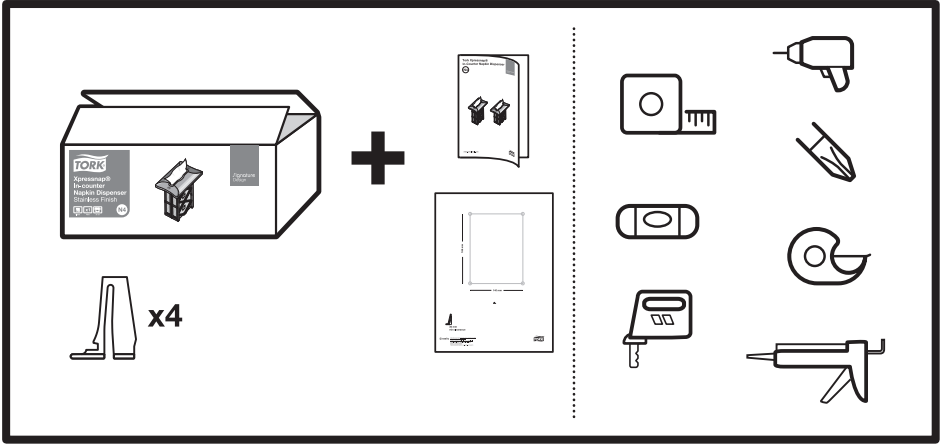
Tork Xpressnap® In-Counter Napkin Dispenser

N4

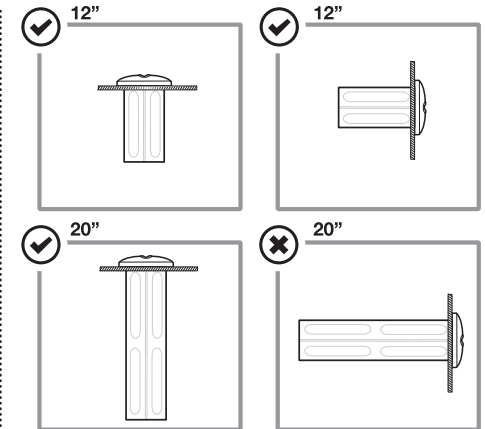
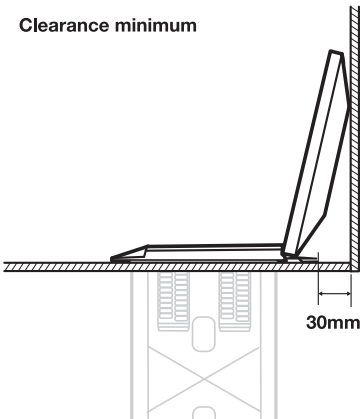
Signature
Design



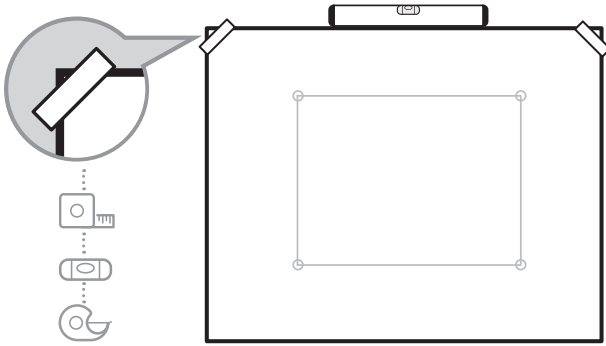
Tork Xpressnap® In-Counter Napkin Dispenser



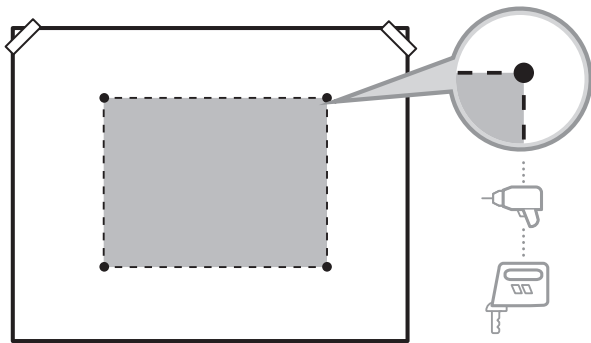
Clearance minimum



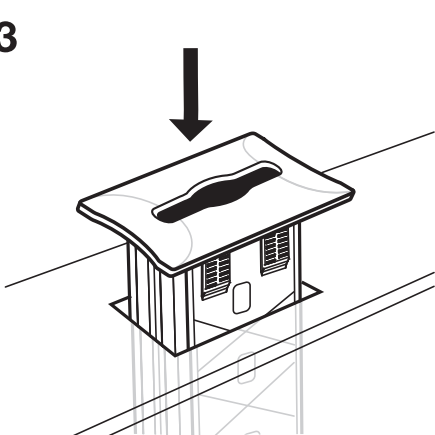
1



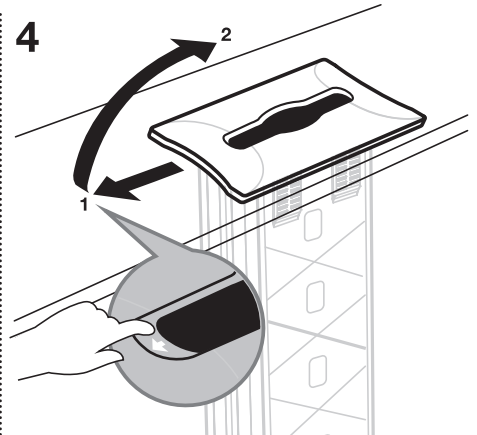
2



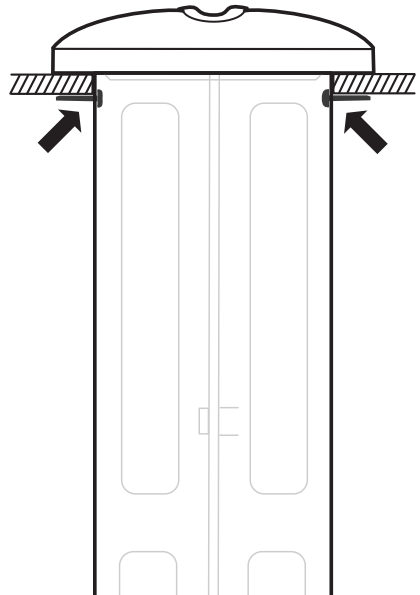
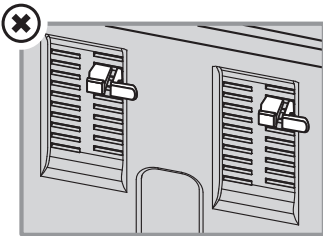
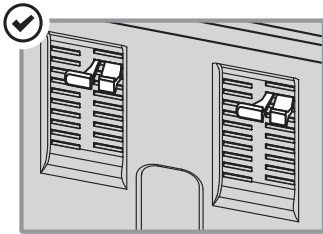
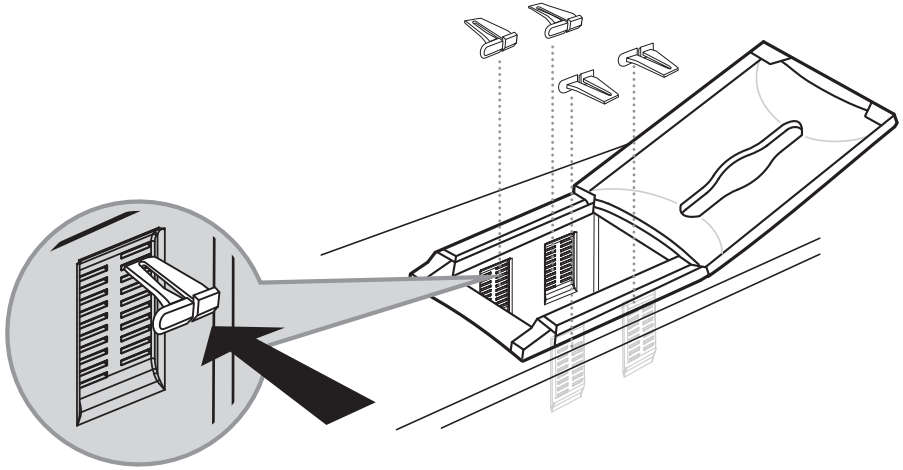
3



4

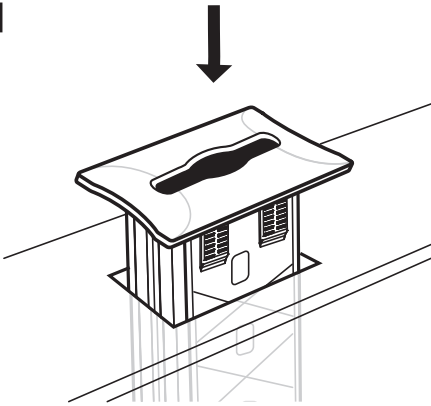


5

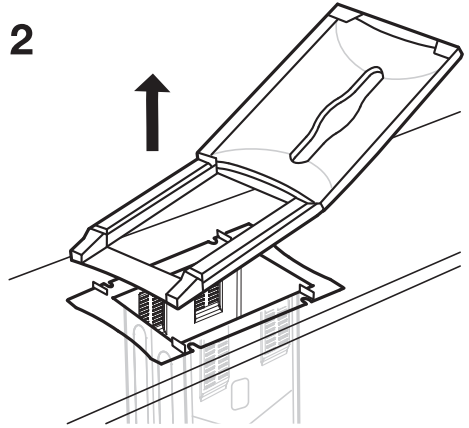


Installation - Optional methods

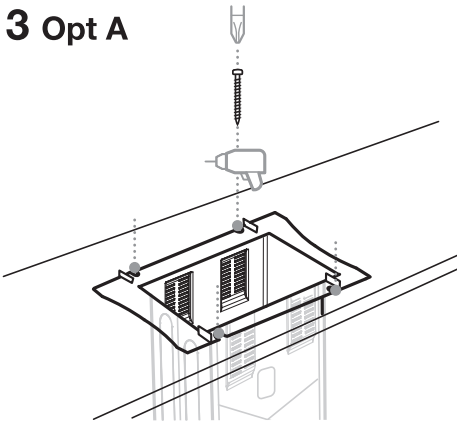
1



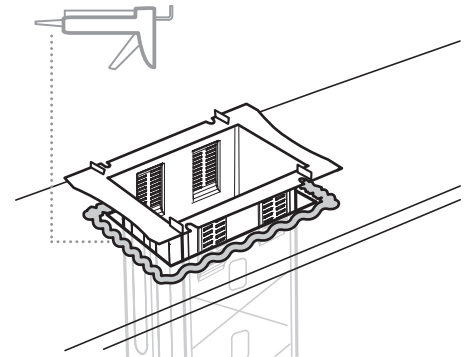
2



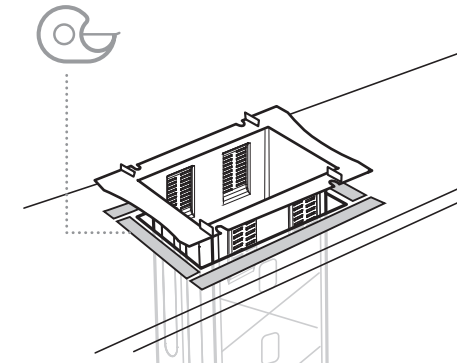
3 Opt A



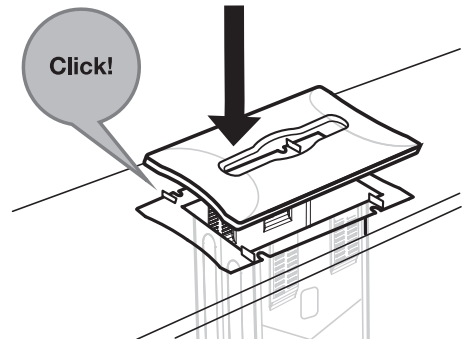
3 Opt B



3 Opt C



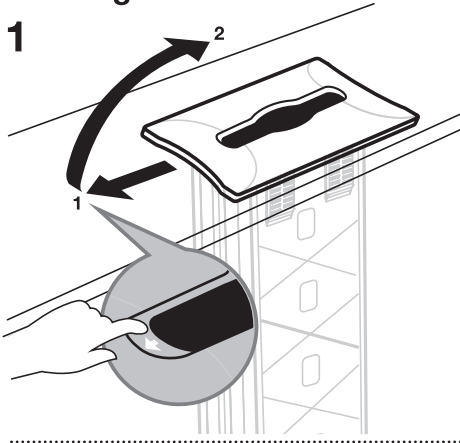
4



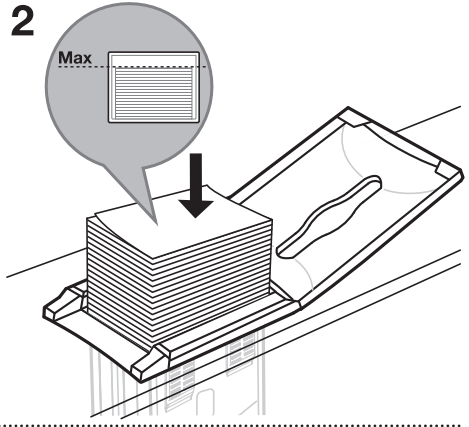
Tork Xpressnap® In-Counter Napkin Dispenser

Loading

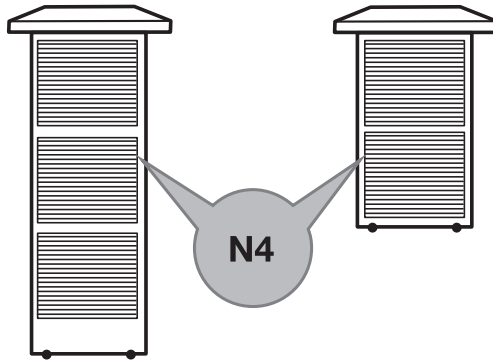
1



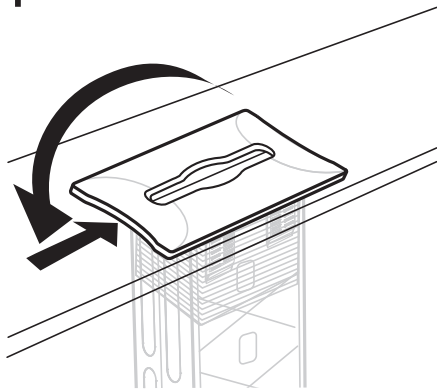
2



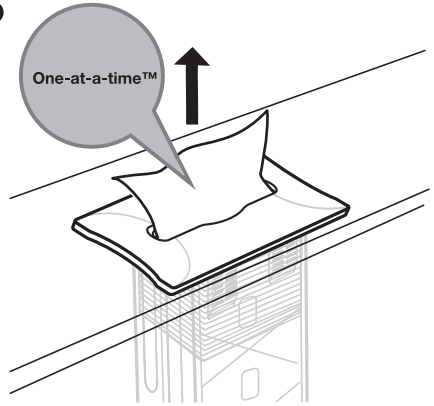
3



4



5



5

Cleaning instructions

- Use mild cleaners. Wipe with cloth using soap and water.
Do not use abrasives. Dispenser is not dishwasher safe.



Manufactured by Essity Hygiene and Health AB

SE-40503 Göteborg, Sweden

Visiting address: Mölndals Bro 2, Mölndal

www.essity.com, www.torkglobal.com

Made in United States

Patents/Brevets/Patentes: www.essity.com/patents

Essity UK Limited

Southfields Road, Dunstable,

Bedfordshire, LU6 3EJ, UK